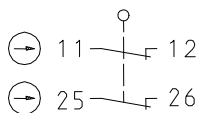


### Series I88

Description **I88-A2Z KNW 90GR RO22**

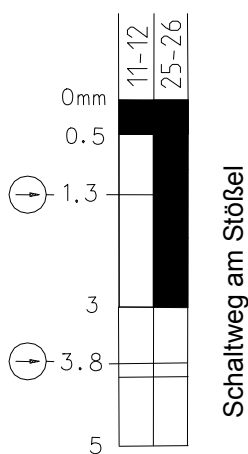
Article number **6186827266**



Operating symbol

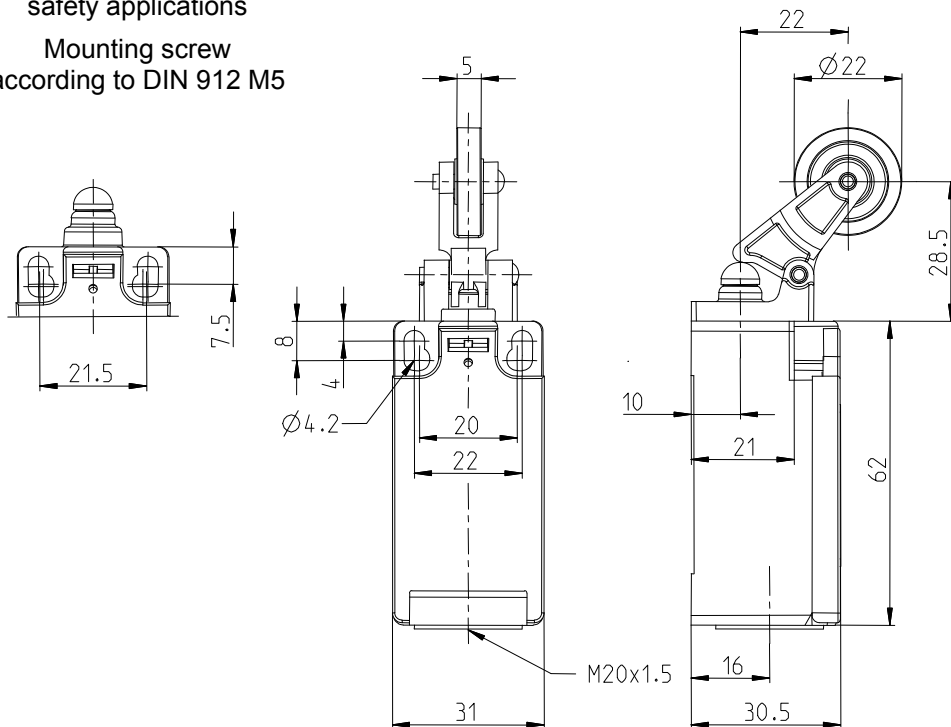


Fixed positioning for  
safety applications  
Mounting screw  
according to DIN 912 M5

Operating diagram



  Tolerance:  
 On Off Operating point  $\pm 0,25\text{mm}$ ;  
 Operating force  $\pm 10\%$



### Electrical data

Rated insulation voltage	$U_i$	250 V AC
Conv. thermal current	$I_{the}$	5 A
Rated operational voltage	$U_e$	240 V
Utilization category		AC-15, $U_e/I_e$ 240 V/1,5 A
Direct opening action	$\ominus$	acc. to IEC/EN 60947-5-1, Annex K
Short-circuit protective device		Fuse 6 A gL/gG
Protection class		II, totally insulated

This document will not become the contractual basis; the details included herein do not constitute any descriptions of expected conditions, so that warranties/claims for defects on account of possible variations of the actual qualities from the qualities described herein are explicitly excluded. All rights reserved. Specifications subject to change without notice!

Date of issue: 31.07.2008 / Page 1 of 2  
Document : 6186827266\_en.doc / Last update : 2 / 2377-08